

# Micro-Cosmos

## Preface





### About this document

This manual is intended for the end user of the Micro-Cosmos. This manual contains all information that is needed for a correct, safe and efficient installation and use of the Micro-Cosmos. Store this manual at an accessible location near the Micro-Cosmos, for the purpose of reference.

### Warranty conditions

The Micro-Cosmos is supplied with a 24 month warranty period after purchase.

### Symbols used

Symbol	Meaning
 <b>WARNING</b>	This symbol indicates a hazardous situation that, if not avoided, could lead to serious or lethal injury.
 <b>CAUTION</b>	This symbol indicates a hazardous situation that, if not avoided, could lead to minor injury or damage to the product.
 <b>NOTICE</b>	This symbol indicates a situation that is not related to physical injury.
 <b>i</b>	This symbol indicates useful additional information.

## 1 Product information

### 1.1 Product description

The Micro-Cosmos is an adjustable bed dome that reduces inconvenient external stimuli in the hospital environment. The Micro-Cosmos provides a feeling of security and privacy and enables patients to sleep better. Thanks to manual adjustment that is infinitely variable, the dome can be adjusted to any required open or closed position, as desired by the user.

### 1.2 Intended use and reasonably to be expected unintended use

The Micro-Cosmos is only intended to be used as a bed dome.

The Micro-Cosmos is only intended to be used in combination with a (hospital) bed.

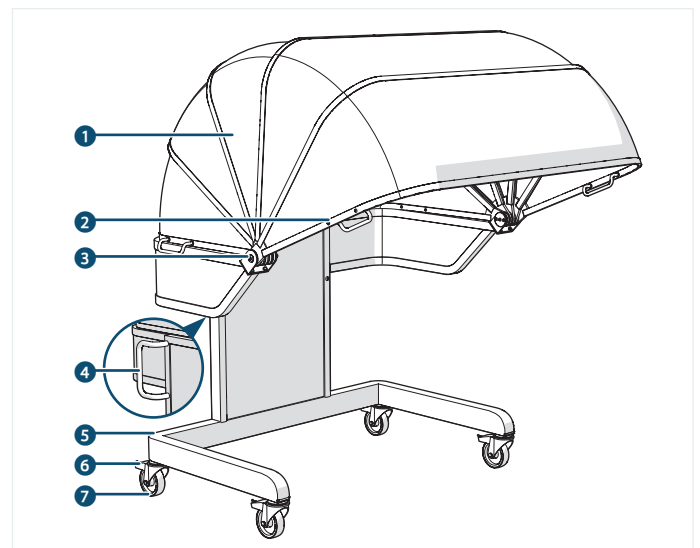
The Micro-Cosmos is only intended to be used indoors.

Any other use of the Micro-Cosmos other than described in this manual is regarded as incorrect use and could lead to injury or damage to the product and invalidation of the warranty.

### 1.3 General specifications

<b>Product name</b>	Micro-Cosmos
<b>Dimensions (l × w × h)</b>	Folded: 749 × 1210 × 1300 mm Unfolded: 1300 × 1210 × 1450 mm
<b>Weight</b>	45 kg
<b>Material</b>	ABS plastic, SS, Steel, Aluminium

### 1.4 Main components



- 1 Bed dome
- 2 Bed dome handle
- 3 Hinge
- 4 Undercarriage handle
- 5 Undercarriage
- 6 Castor brake
- 7 Castor

## 2 Safety

Make sure you have fully read and understood the safety instructions in this manual before you install or use the Micro-Cosmos.

### 2.1 Safety provisions

The following safety precautions were made in the design of the Micro-Cosmos in order to prevent hazardous situations:

- Castors with brakes;
- Handles for moving and opening/closing the dome.

### 2.2 Safety warnings and instructions

#### **WARNING**

- **Hazard of getting crushed!** Make sure that IV tubes and cables do not run under or between the Micro-Cosmos to prevent them from getting crushed. Always allow IV tubes, cables and lines to run along the outside or front of the Micro-Cosmos.
- **Hazard of suffocation!** Do not allow children to play with the packaging material. Store the packaging material outside the reach of children.

## ⚠ CAUTION

- **Hazard of getting crushed!** When opening or closing the dome, always keep hands and fingers away from moving components.
- **Hazard of getting crushed!** Make sure that at least two of the four castors are locked to prevent the Micro-Cosmos from rolling away.

## NOTICE

- When placing the Micro-Cosmos, make sure there is sufficient space to allow the users to perform tasks around the Micro-Cosmos.
- Do not drop the Micro-Cosmos and prevent impacts to avoid damage.
- Do not use any aggressive chemical detergents such as bleaches and abrasives for cleaning the Micro-Cosmos.

## 3 Transport

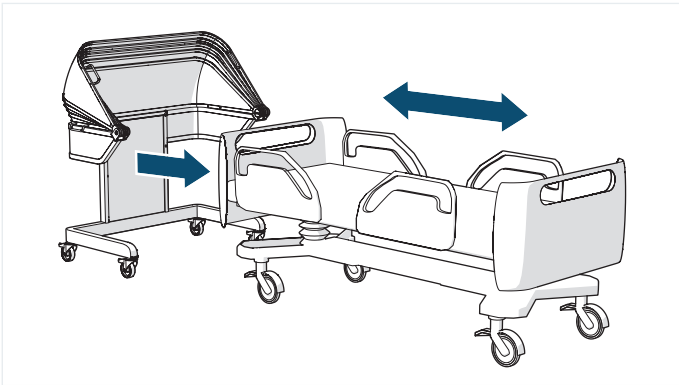
- 1 Remove the Micro-Cosmos from the pallet.
- 2 Press down on the brakes of the castors with your foot to release the castors.
- 3 Roll the Micro-Cosmos to the intended location.

## 4 Installation

### 4.1 Checking the contents of the packaging

- 1 Remove the packaging material.
- 2 Check that all components are present.
- ⓘ If components are missing or damaged, contact Micro-Cosmos.

### 4.2 Placing the Micro-Cosmos



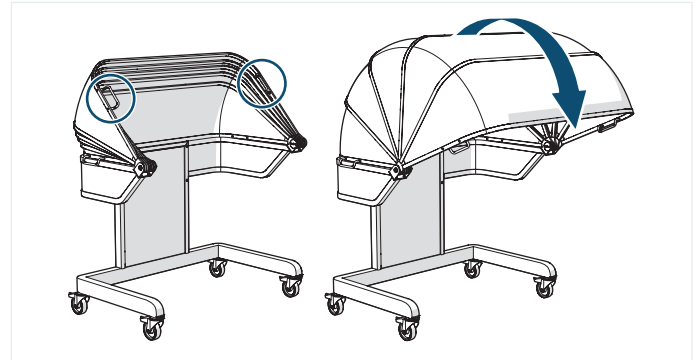
Place the Micro-Cosmos as follows:

- 1 Place the bed at least 70 cm away from the wall.
- 2 Make the area behind the bed free from obstacles.
- 3 Press down on the brakes of the castors with your foot to release the castors.
- 4 Roll the Micro-Cosmos behind the head end of the bed. Make sure that the Micro-Cosmos and the bed are aligned.
- 5 Press down on the brakes of the castors with your foot to lock the castors.

## 5 Use

### 5.1 Opening/closing the Micro-Cosmos

The Micro-Cosmos can be opened and closed by pushing the dome open or closed with the handles. The Micro-Cosmos can be opened or closed at the front and rear.



### 5.2 IV pole holder

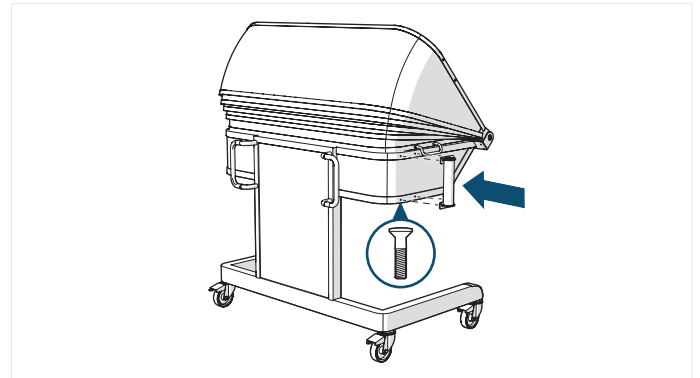
The IV pole holder is an accessory that can be ordered from Micro-Cosmos as an option.

#### 5.2.1 Contents of the packaging

- 1 Remove the packaging material.
- 2 Check that all components are present.
- ⓘ If components are missing or damaged, contact Micro-Cosmos.

Quantity	Component
1 ×	IV pole holder
4 ×	M6 × 16 mm socket-head screw

#### 5.2.2 Mounting the IV pole holder



Mount the IV pole holder as follows:

- 1 Align the IV pole holder with the assembly holes intended for that purpose on the side of the Micro-Cosmos.
- 2 Fasten the IV pole holder with four M6 × 16 mm socket-head screws.

## 6 Maintenance

Clean the Micro-Cosmos after each use.

Clean the Micro-Cosmos with a disinfectant and a soft cloth. Use products such as alcohol wipes (70%), bacillol wipes, Oxy S wipes.